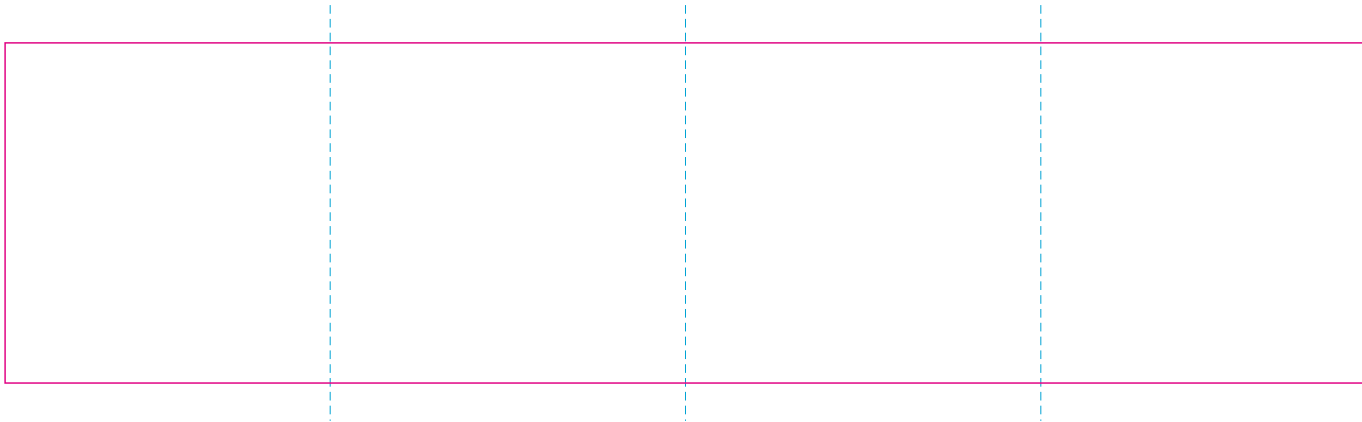


RS



— Edge of graphics

- - - centerlines

resolution: min. 300 DPI

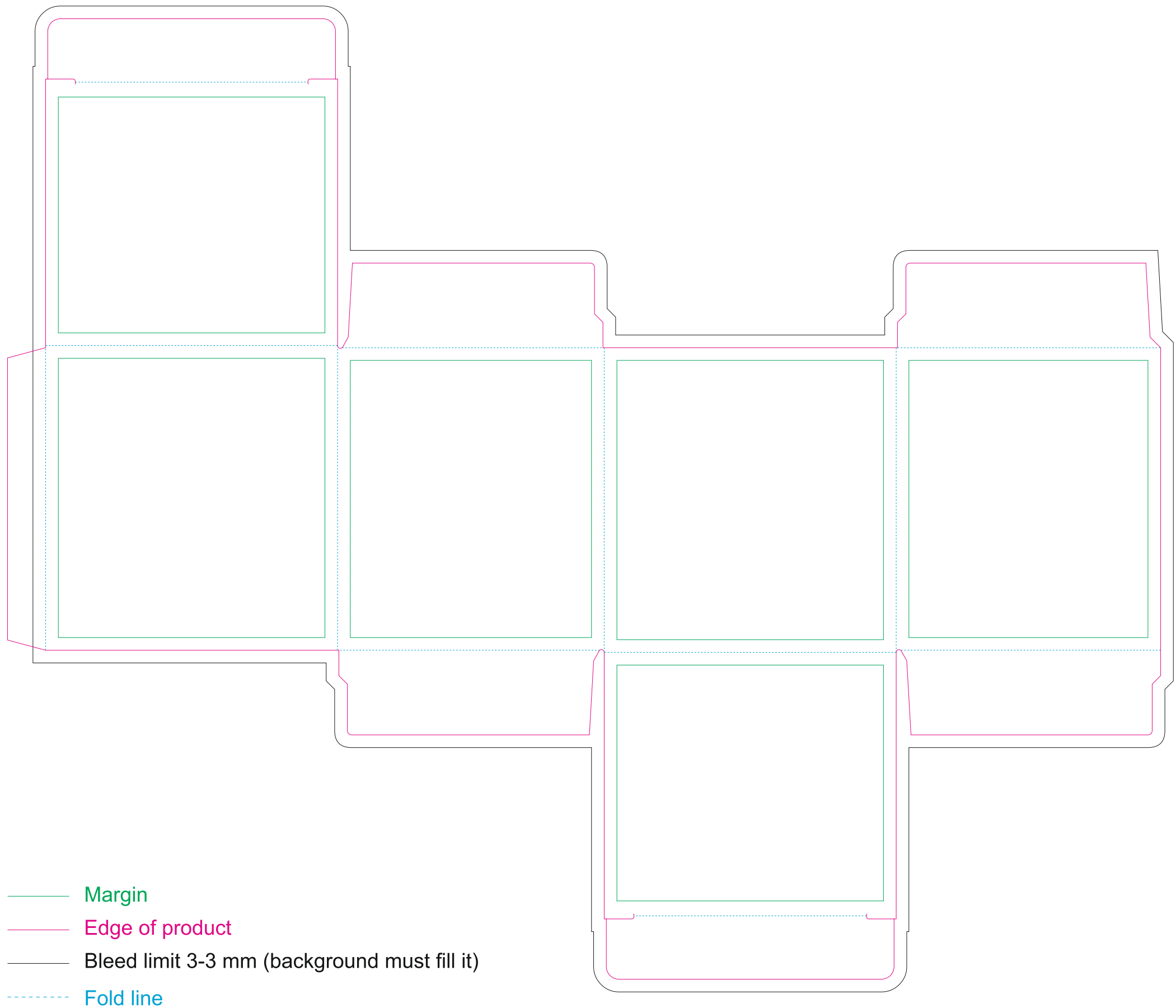
colours: CMYK

formats: TIFF, PDF, EPS, AI, CDR

The pink outline the maximum size of graphic visible on the product.

The blue dash line indicates the center line of the left, right and middle side of object.

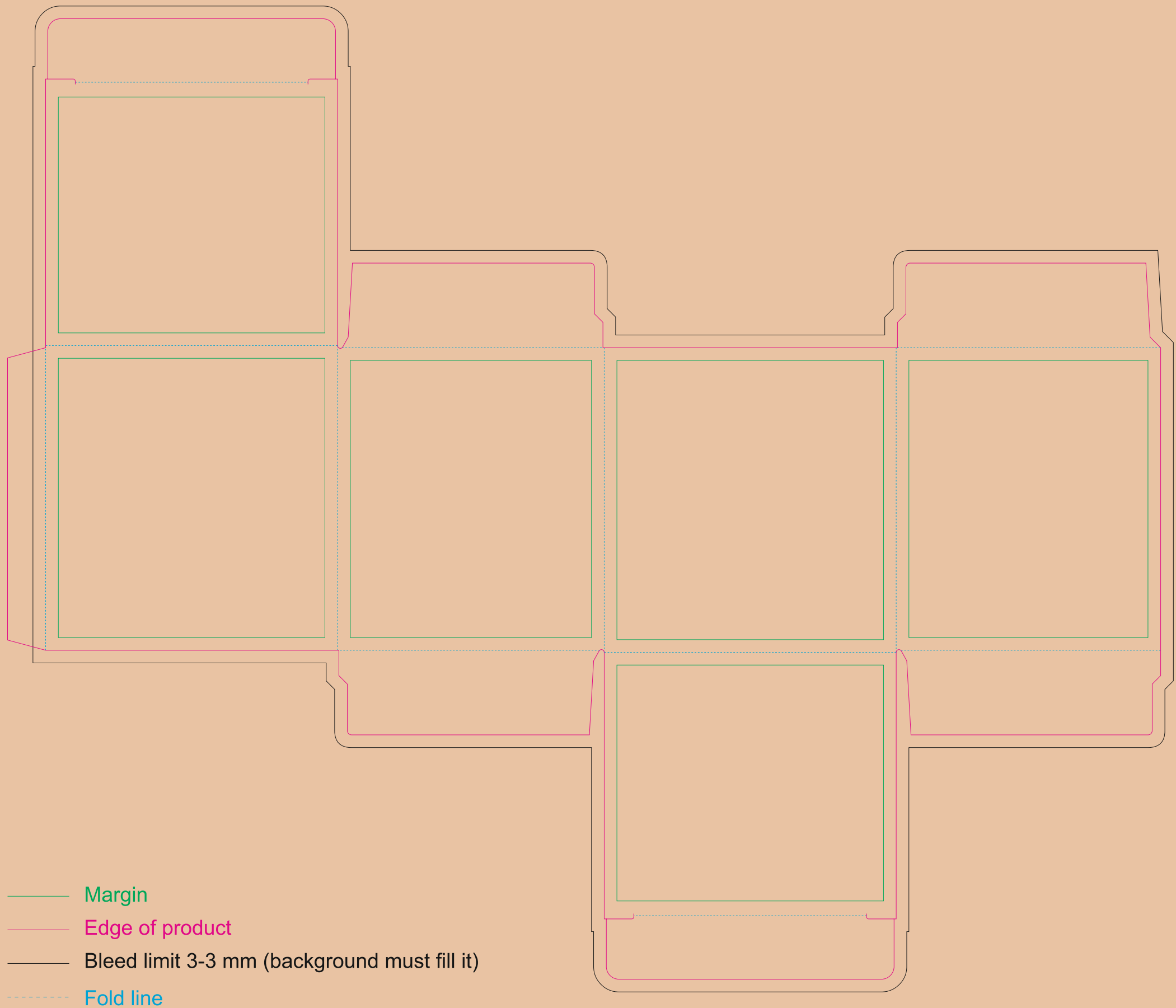
Paperboard box



resolution: min. 300 DPI
colours: CMYK
formats: TIFF, PDF, EPS, AI, CDR

The green line indicates the area all non-background object-texts, logos, etc.
The pink outline the maximum size of graphic visible on the product.
The black line indicates the size of the required graphics including bleed.
The blue line indicates the folding.

Kraft Paperboard box



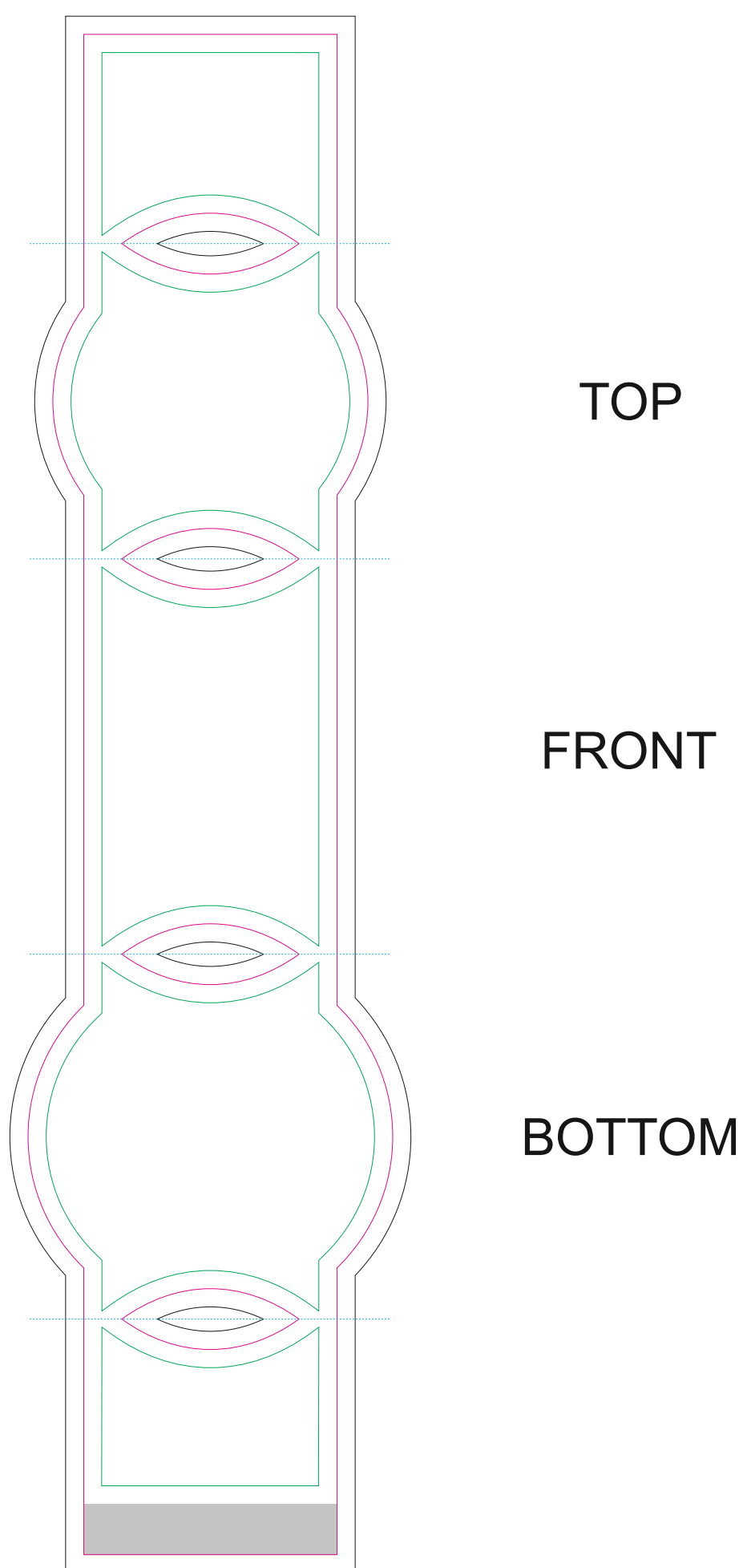
- Margin
- Edge of product
- Bleed limit 3-3 mm (background must fill it)
- - - - - Fold line

resolution: min. 300 DPI
colours: CMYK
formats: TIFF, PDF, EPS, AI, CDR

The green line indicates the area all non-background object-texts, logos, etc.
The pink outline the maximum size of graphic visible on the product.
The black line indicates the size of the required graphics including bleed.
The blue line indicates the folding.

The size of the paper sleeve is for reference only as product packaging size may vary.

Paper sleeve



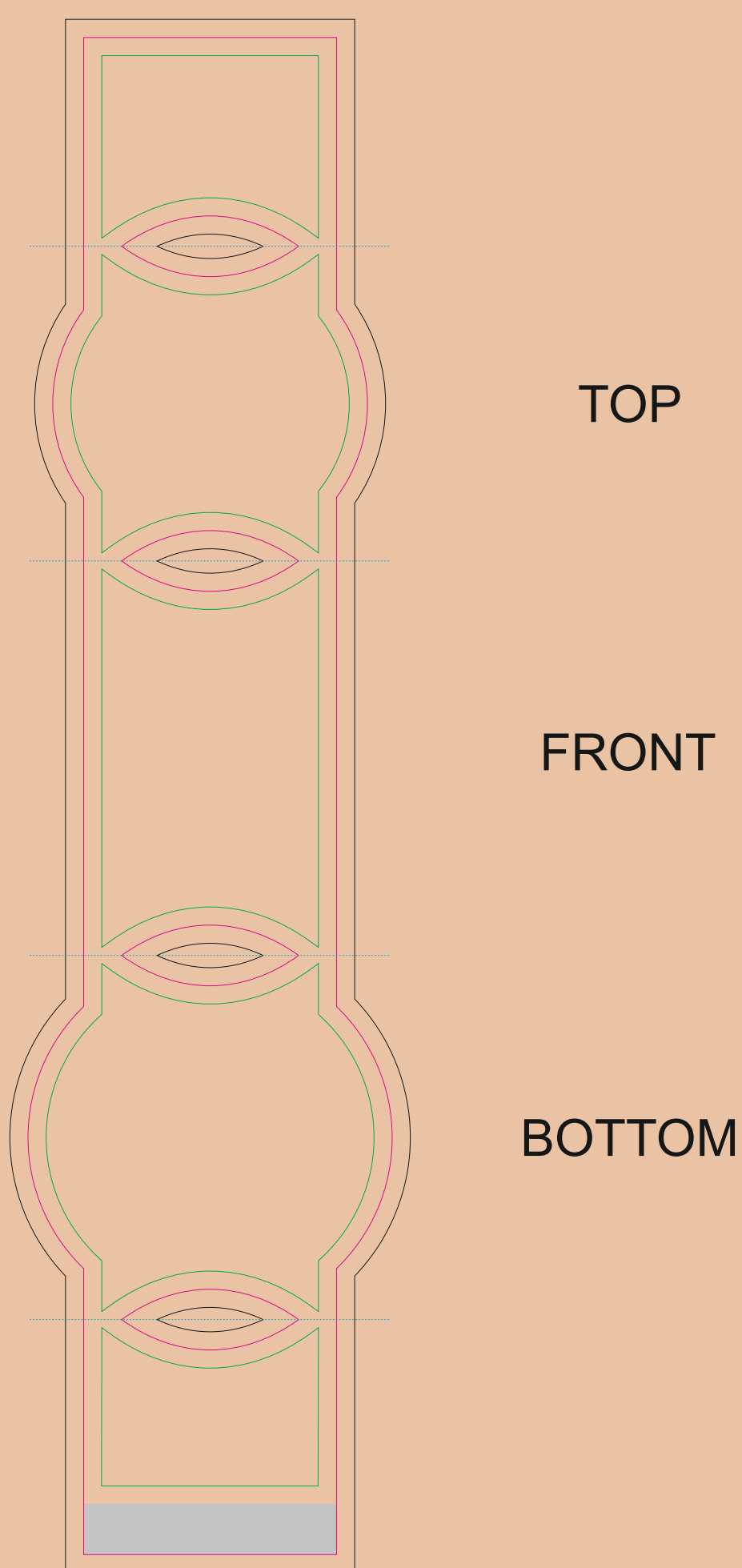
- Margin
- Edge of product
- Bleed limit 3-3 mm (background must fill it)
- - - - - Fold line

resolution: min. 300 DPI
colours: CMYK
formats: TIFF, PDF, EPS, AI, CDR

The green line indicates the area all non-background object-texts, logos, etc.
The pink outline the maximum size of graphic visible on the product.
The black line indicates the size of the required graphics including bleed.
The blue line indicates the folding.

The size of the paper sleeve is for reference only as product packaging size may vary.

Kraft paper sleeve



- Margin
- Edge of product
- Bleed limit 3-3 mm (background must fill it)
- - - - - Fold line

resolution: min. 300 DPI
colours: CMYK
formats: TIFF, PDF, EPS, AI, CDR

The green line indicates the area all non-background object-texts, logos, etc.
The pink outline the maximum size of graphic visible on the product.
The black line indicates the size of the required graphics including bleed.
The blue line indicates the folding.